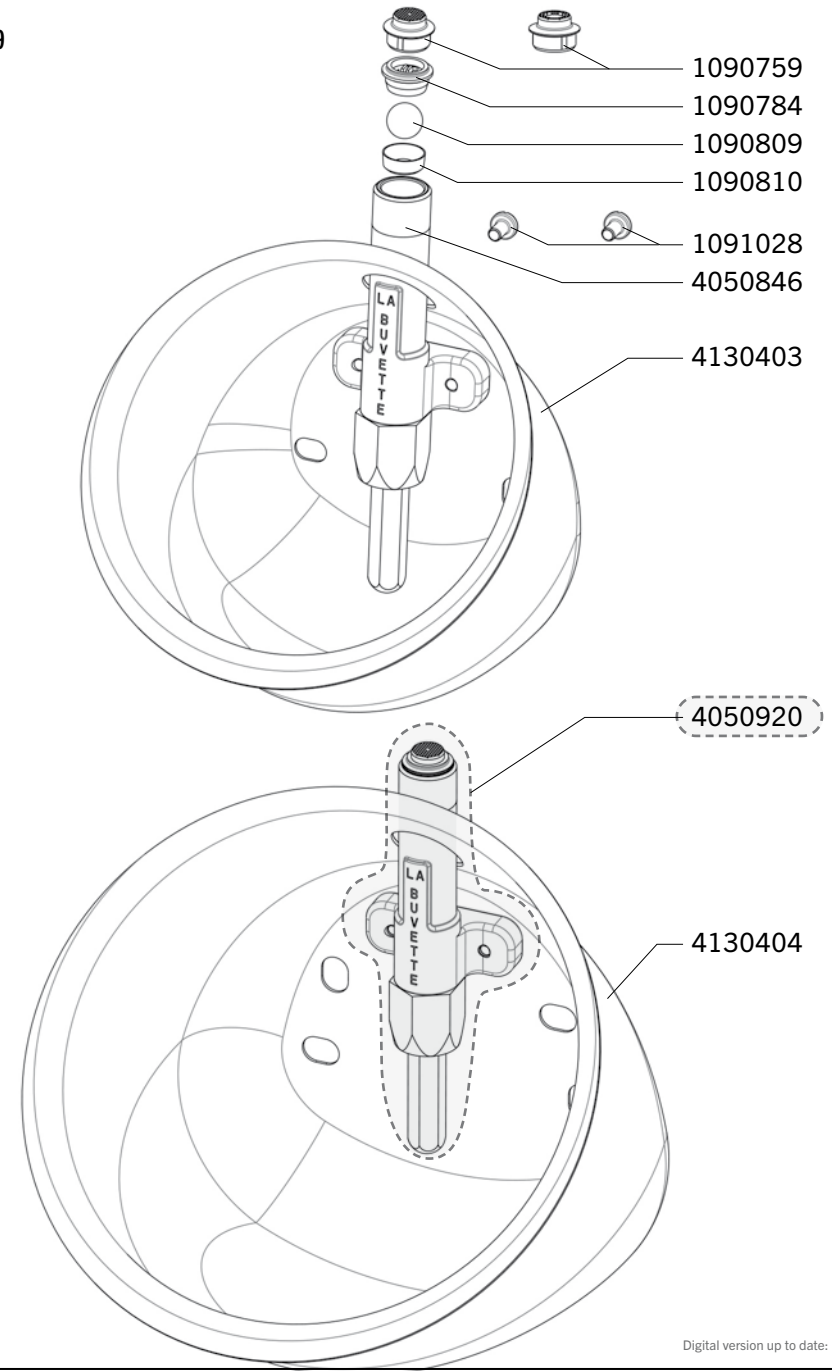
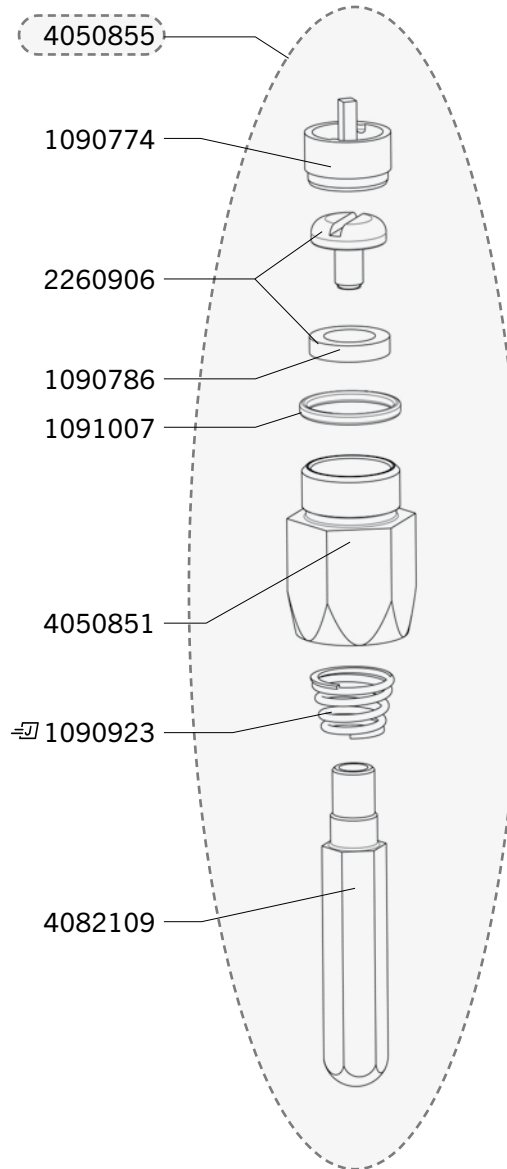


B15L - B19

Ref. 1455 - 1456 - 1457 - 1458 - 1459

Ship.	Code	Designation
J+5	1090759	2 X 10 PLASTIC FILTER FOR B8/B10/B15/B19
J+5	1090774	5 X COMPL.WATER-FLOW ADJUSTMENT
J+5	1090776	10 X FLAT JOINT
J+5	1090784	5 X JETS POUSTUBE
J+1	1090786	10 X RUBBERS
J+5	1090809	10 X PLASTIC BALL
J+5	1090810	BAG OF 10 WATER SHUT-OFF SEATS B8/10/15
⇒	1090923	5 SPRING F30/60/FORSTAL BLISTER PACK
J+5	1091007	BAG WITH 5 JOINTS
J+5	1091028	BAG WITH 10 STAINLESS STEEL SCREWS
J+5	2260906	SCREW+JOINT FOR BALPOR
J+5	4050846	CONNECTION BODY B15 L
J+5	4050851	UNDER PART OF THE VALVE
J+5	4082109	ACTIVATOR PIN
J+1	4050855	COMPLETE UNDER BODY + VALVE
J+5	4050920	COMPLETE VALVE SET B 15 L / B19
J+5	4130403	STAINLESS STEEL BOWL B15
J+5	4130404	BOWL STAINLESS STEEL B19



Shipping time in working days (running out of stock excepted), spare parts tagged with a ⇒ (J) are dispatched the same day if order received before noon and made of parts tagged with ⇒ (J) exclusively.

Digital version up to date:

