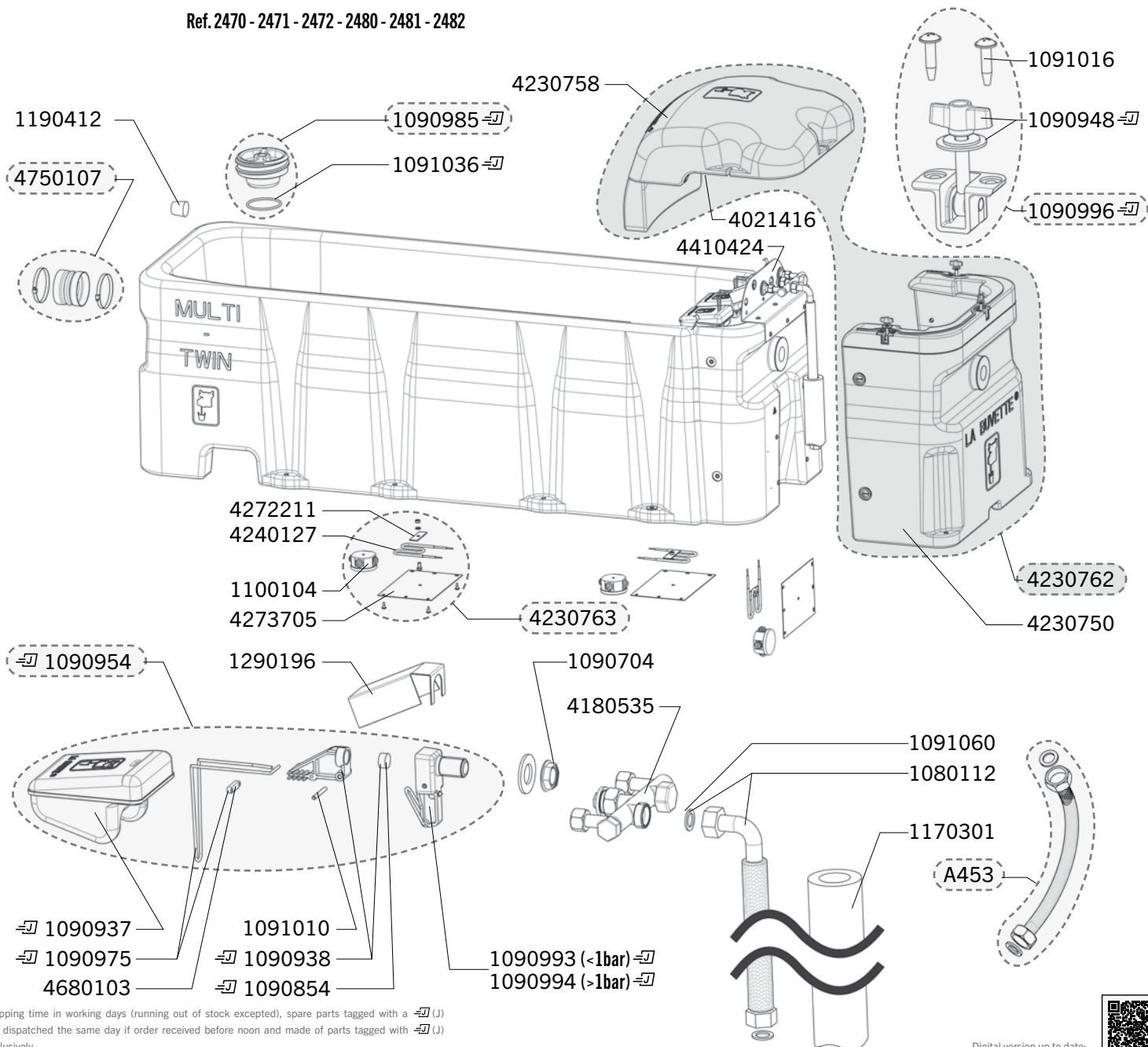


MULTI-TWIN S/EL

Ref. 2470 - 2471 - 2472 - 2480 - 2481 - 2482

Ship.	Code	Designation
J+5	A453	SS BRAIDED HOSE FF 1/2 LG 300
J+1	1080112	FF 3/4" ST. STEEL ELBOW BRAIDED HOSE (NOT SUPPLIED AS STANDARD)
J+5	1090704	10 X NUTS 1/2 GZ
J+5	1090854	VALVE SEAL (X5) BLISTER PACK
J+5	1090937	FLOAT THERMOLAC/PREBAC/BIGLAC BLISTER PACK
J+5	1090938	VALVE BODY BLISTER PACK
J+5	1090948	2 X WINGNUT THERM. (BLISTER)
J+5	1090954	STD PRESSURE VALVE PREBAC-BLISTER
J+5	1090975	BLISTER WITH 2 BIG PIN SPRINGS
J+5	1090985	BLISTER WITH ISOLATED PLUG + JOINT THERMOLAC
J+5	1090993	BLISTER WITH 1 JET Ø12 LOW PRESURE (<1 BAR)
J+5	1090994	BLISTER WITH 1 JET Ø7 STANDARD PRESSURE (>1 BAR)
J+5	1090996	BLISTER WITH 1 CLOSING KIT
J+5	1091010	5 STAINLESS STEEL AXLES
J+5	1091016	BAGS OF 10 SCREWS
J+5	1091036	BAG WITH 2 RUBBERS / THERMOLAC-MULTI
J+5	1091060	BAG OF 10 FLAT JOINTS 24X15X2
J+5	1100104	Ø70 ELECTRICAL CONNECTION BOX
J+5	1170301	INSULATION SHEATH
J+5	1190412	MULTI TWIN CLOSING PLUG
J+5	1290196	STAINLESS STEEL DEFLECTOR VALVE 1/2" VERSION
J+5	4021416	SEAL FOR COVER MULTI TWIN
J+5	4180535	COMPLETE SUPPLY PART FOR MULTI TWIN VALVE
J+5	4230750	BACK COVER MULTI-TWIN
J+5	4230758	COVER + SEAL FOR MULTI TWIN
J+5	4230762	SET MECHANICAL COMPARTMENT+ VALVE COVER
J+5	4230763	80 W HEATING KIT +SS PLATE +CONNECTOR +SCREWS
J+1	4240127	HEATING ELEMENT 80W + INDICATOR WIRES + CONNECTORS
J+5	4272211	BRACKET FOR HEATING ELEMENT
J+5	4273705	STAINLESS STEEL PLATE ONLY
J+5	4410424	MOUNTING PLATE FOR MULTI TWIN FLOAT
J+1	4680103	PLASTIC HOLDER FOR FLOAT HOLDER
J+5	4750107	CONNECTION SET MULTI TWIN



Shipping time in working days (running out of stock excepted), spare parts tagged with a (J) are dispatched the same day if order received before noon and made of parts tagged with (L) exclusively.

Digital version up to date:

